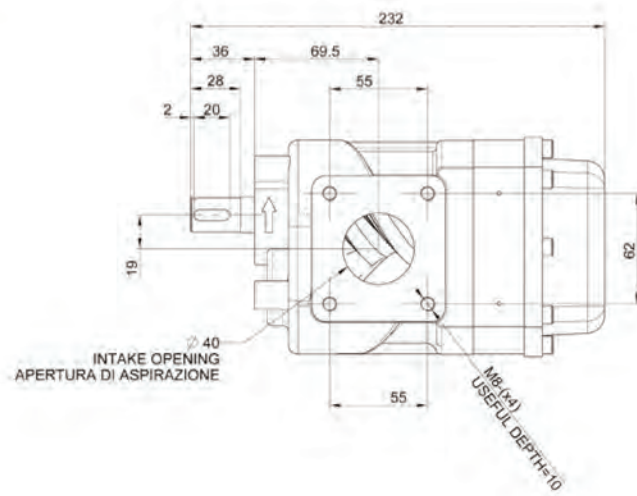
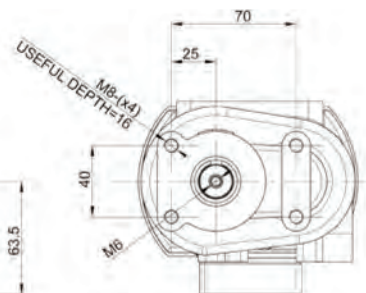
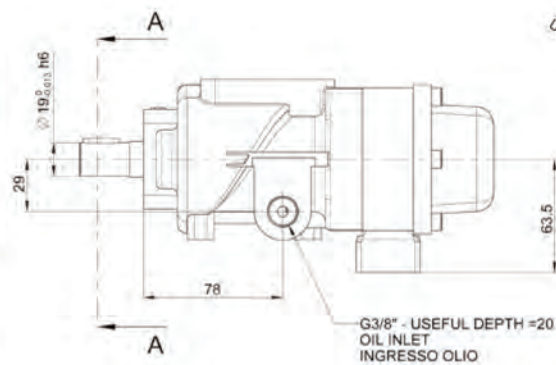
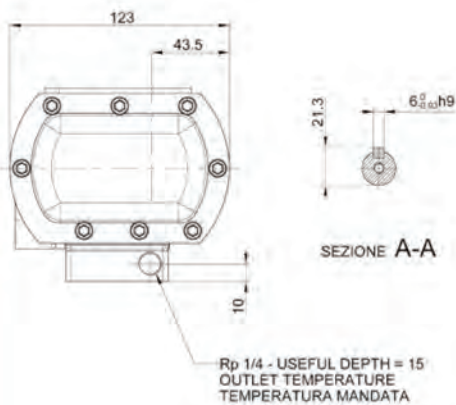
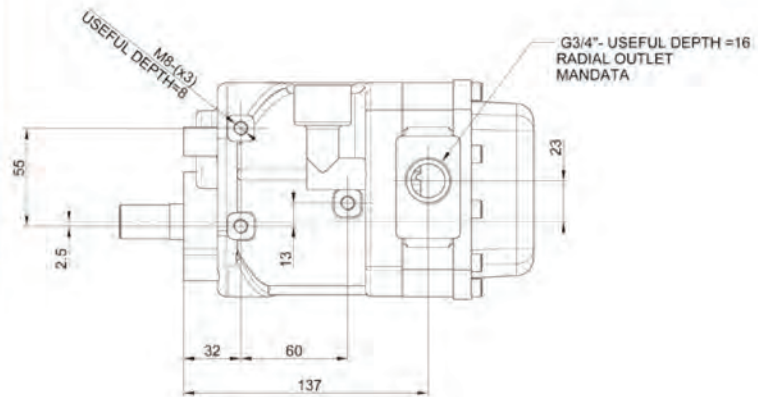
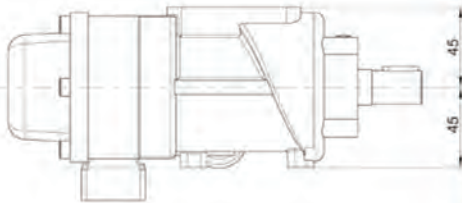
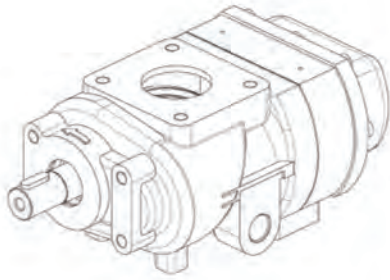


FS 14

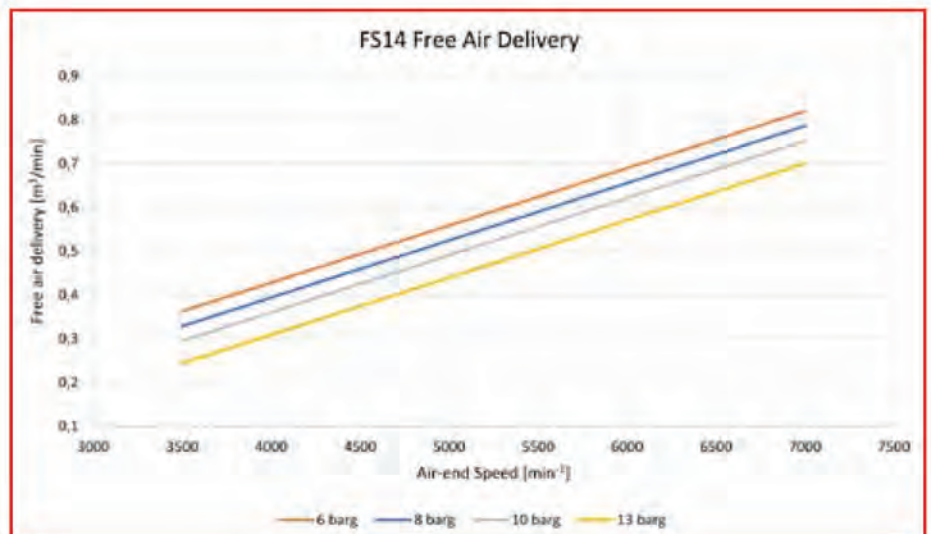
Air-end for direct coupling or belt-driven.



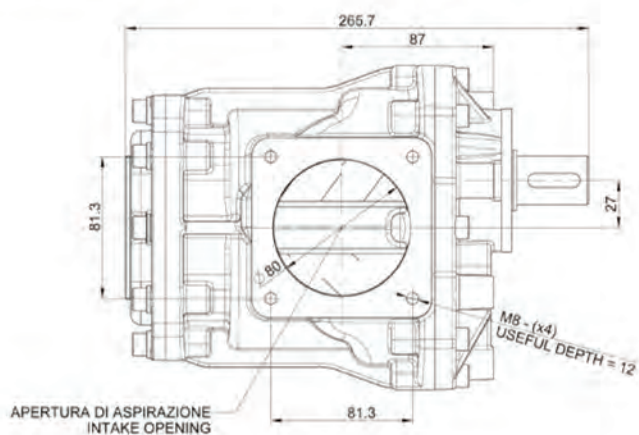
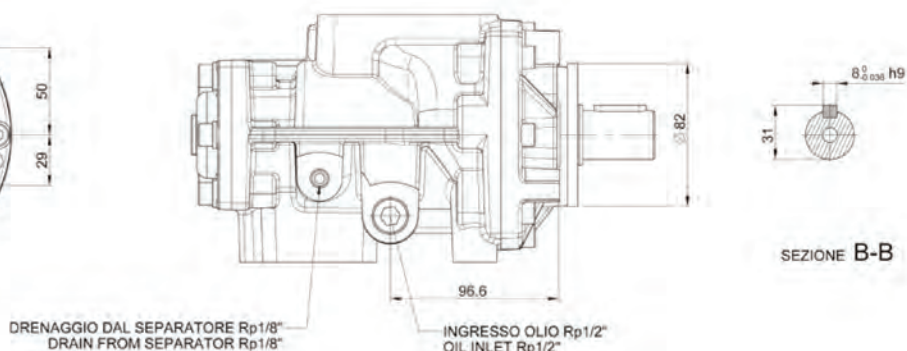
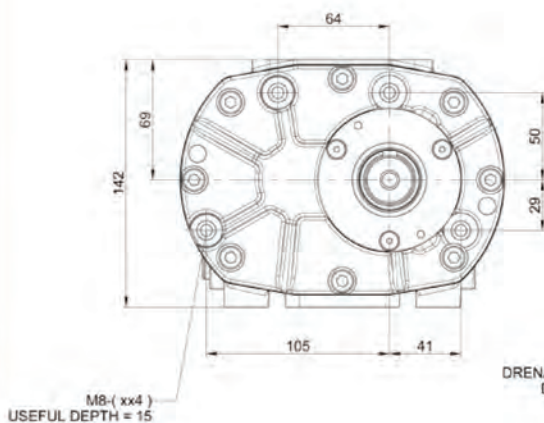
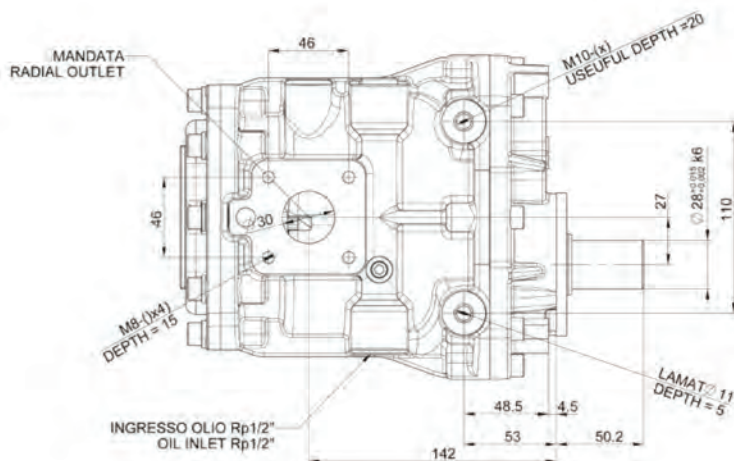
FS 14



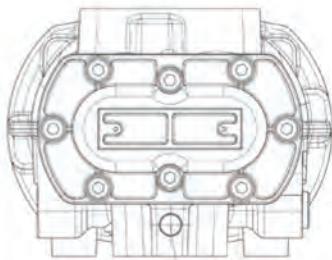
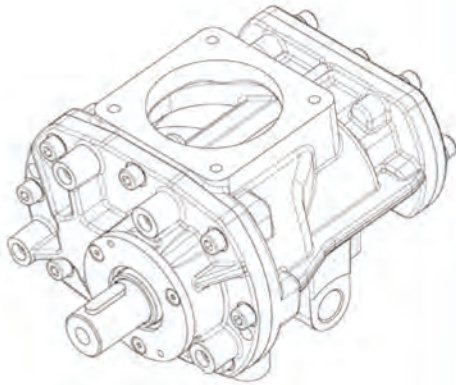
Code (1 pc)	#5305100110
Code (24 pcs)	#5305100120
Power range	2.2 - 5.5 kW
Rotor speed	2,600 - 6,800 r.p.m. (min. - max.)
Max. pressure	15 bar
Net Weight	7.2 kg



Air-end for direct coupling or belt-driven.

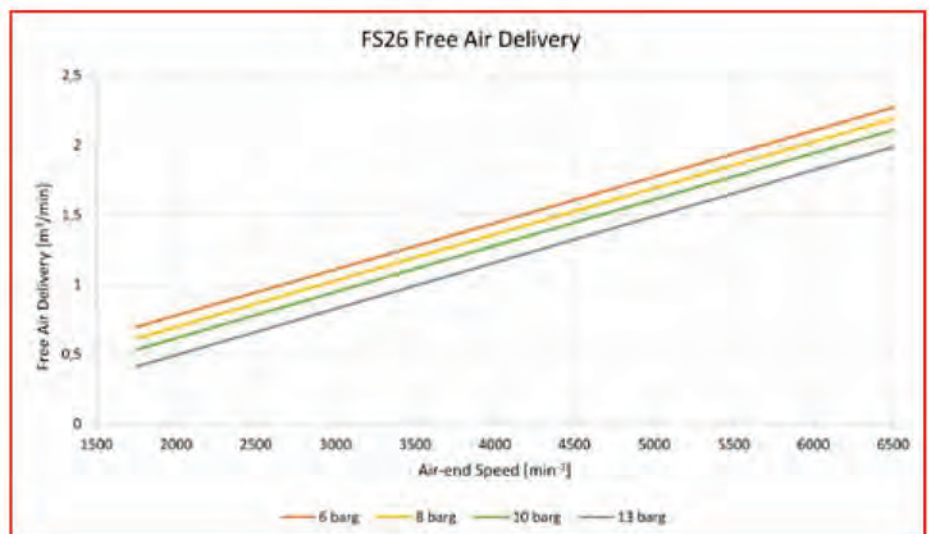
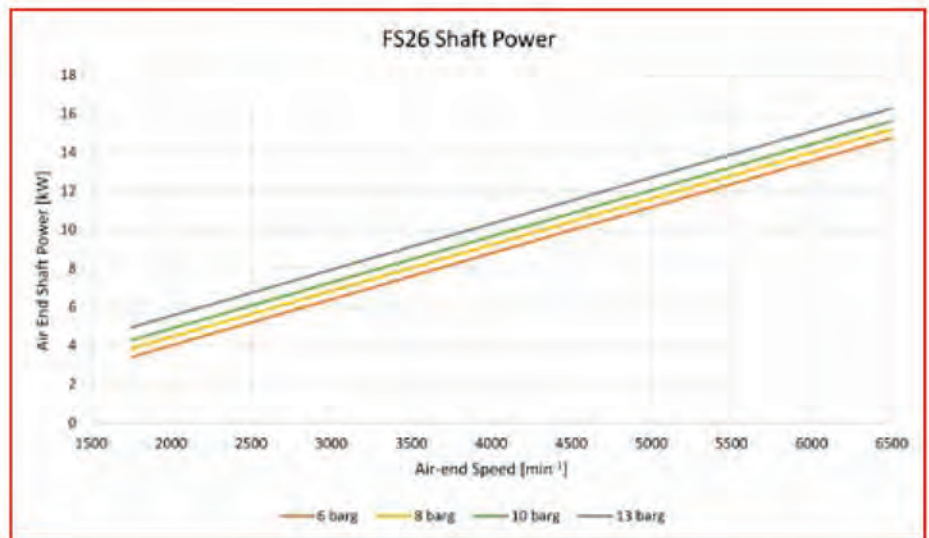


FS 26 TF



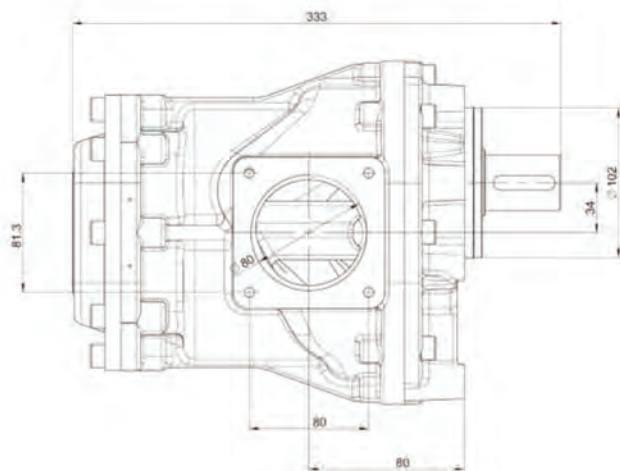
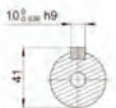
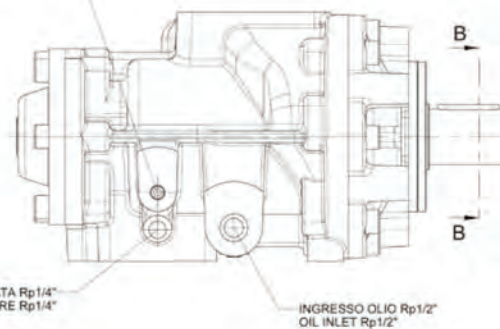
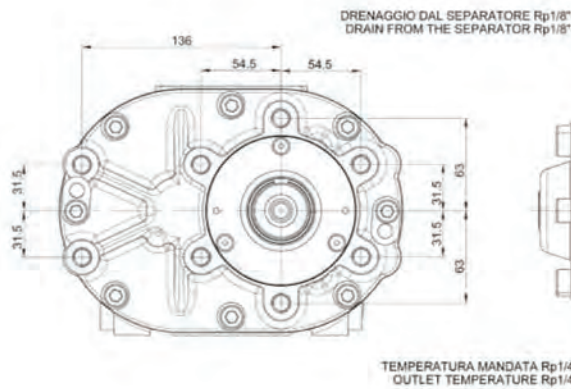
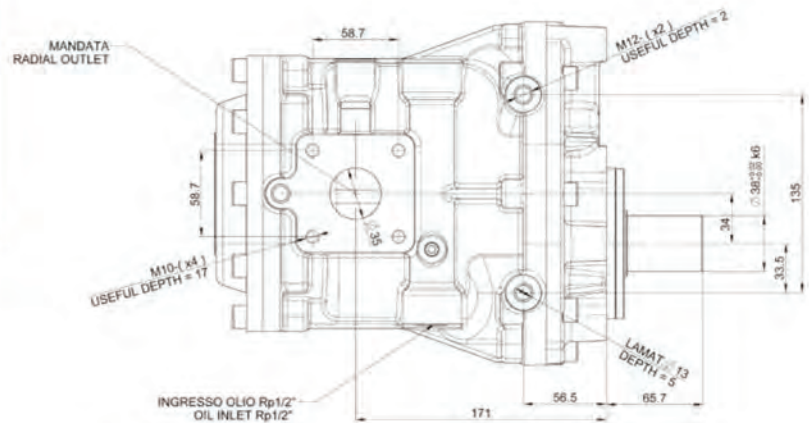
TEMPERATURA MANDATA Rp1/4"
OUTLET TEMPERATURE Rp1/4"

Code (1 pc)	#5303000110
Code (24 pcs)	#5303000120
Power range	5.5 - 15 kW
Rotor speed	1400 - 5300 r.p.m. (min. - max.)
Max. pressure	15 bar
Net Weight	15 kg



FS 50 TF

Air-end for direct coupling or belt-driven.



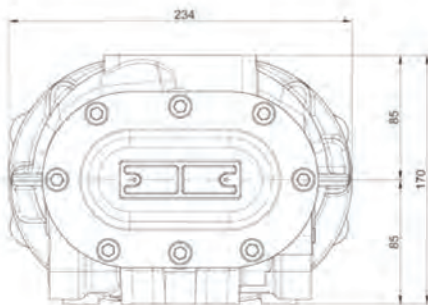
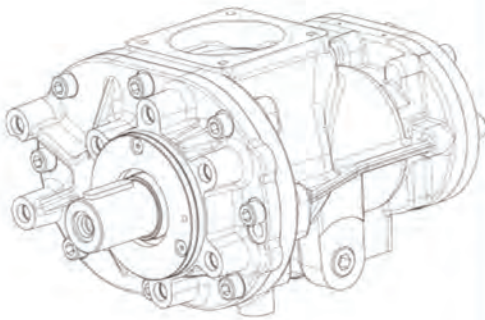
FS 50 TF

TRYCOMP
Heavy Duty

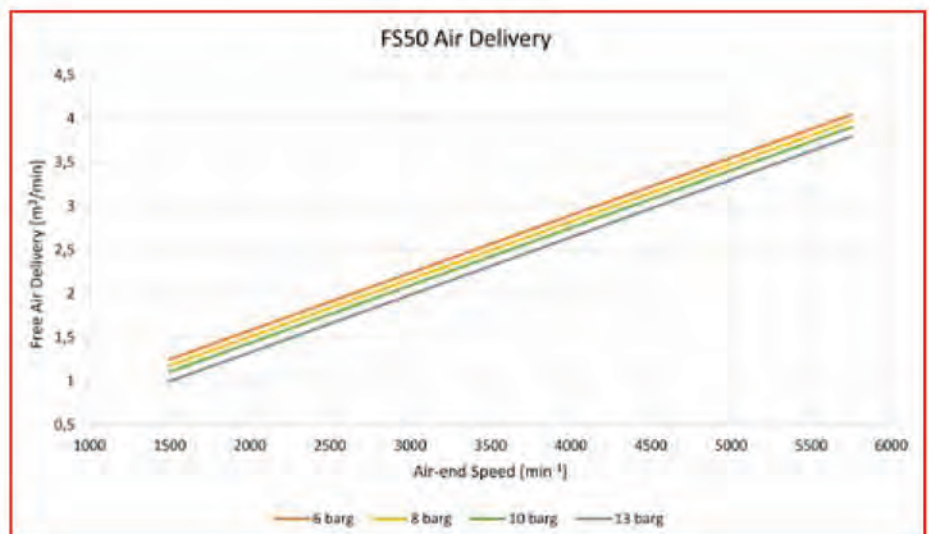
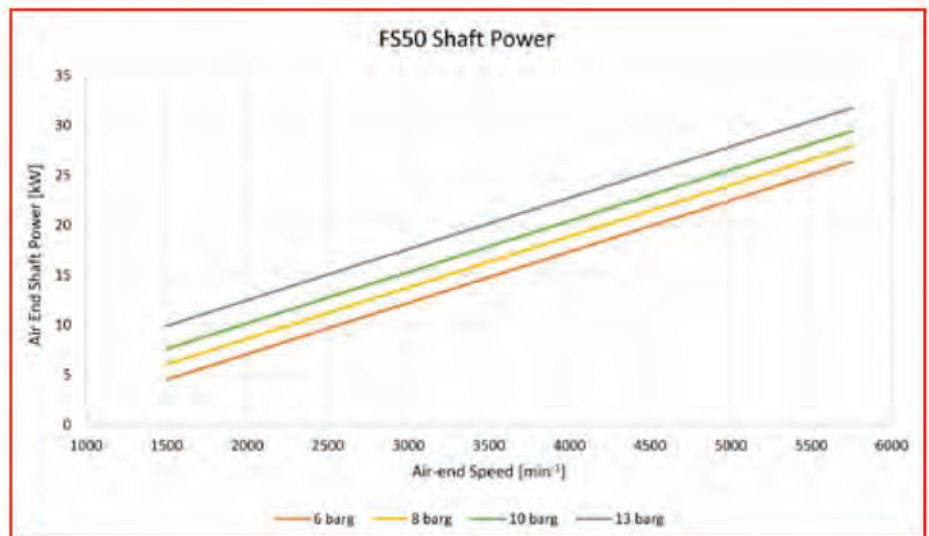
Fini
COMPRESSORS

FSN
ORIGINAL SPARE PARTS

shamal

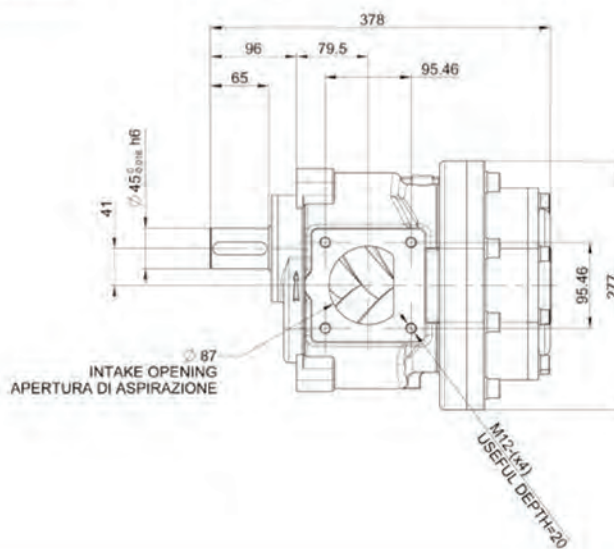
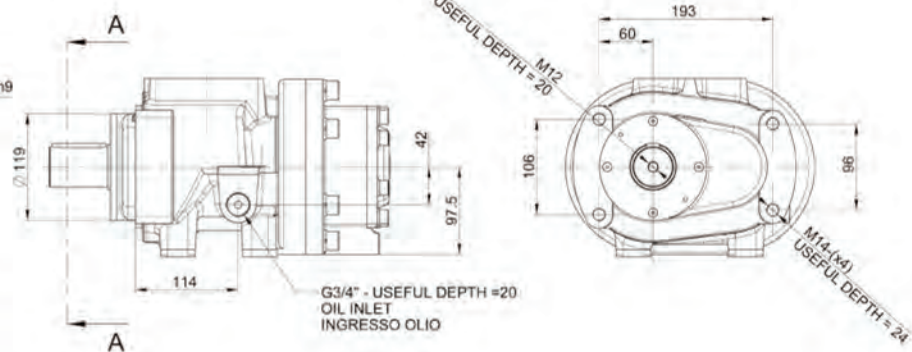
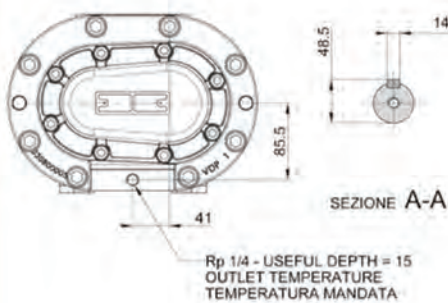
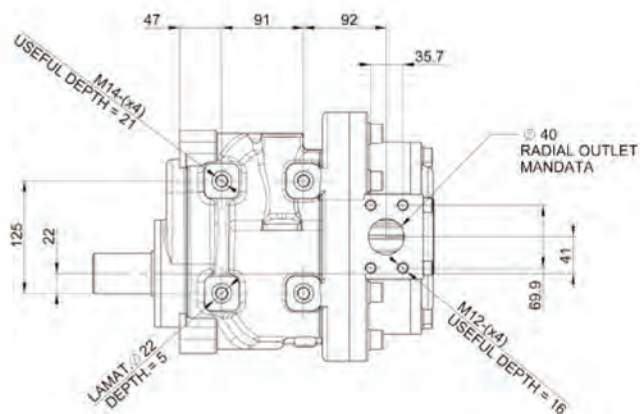


Code (1 pc)	#5304000110
Code (10 pcs)	#5304000120
Power range	11 - 30 kW
Rotor speed	2,100 - 5,300 r.p.m. (min. - max.)
Max. pressure	15 bar
Net Weight	36 kg



FS 100

Air-end for direct coupling or belt-driven.



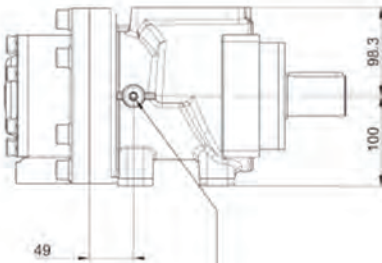
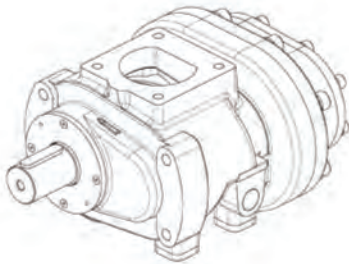
FS 100

TRYCOMP
Heavy Duty

Fini
COMPRESSORS

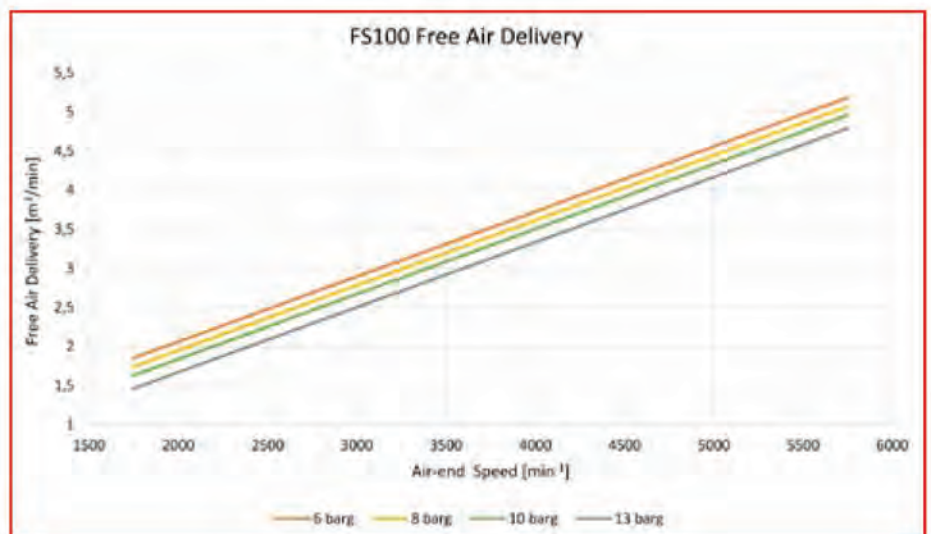
FSN
ORIGINAL SPARE PARTS

shamal



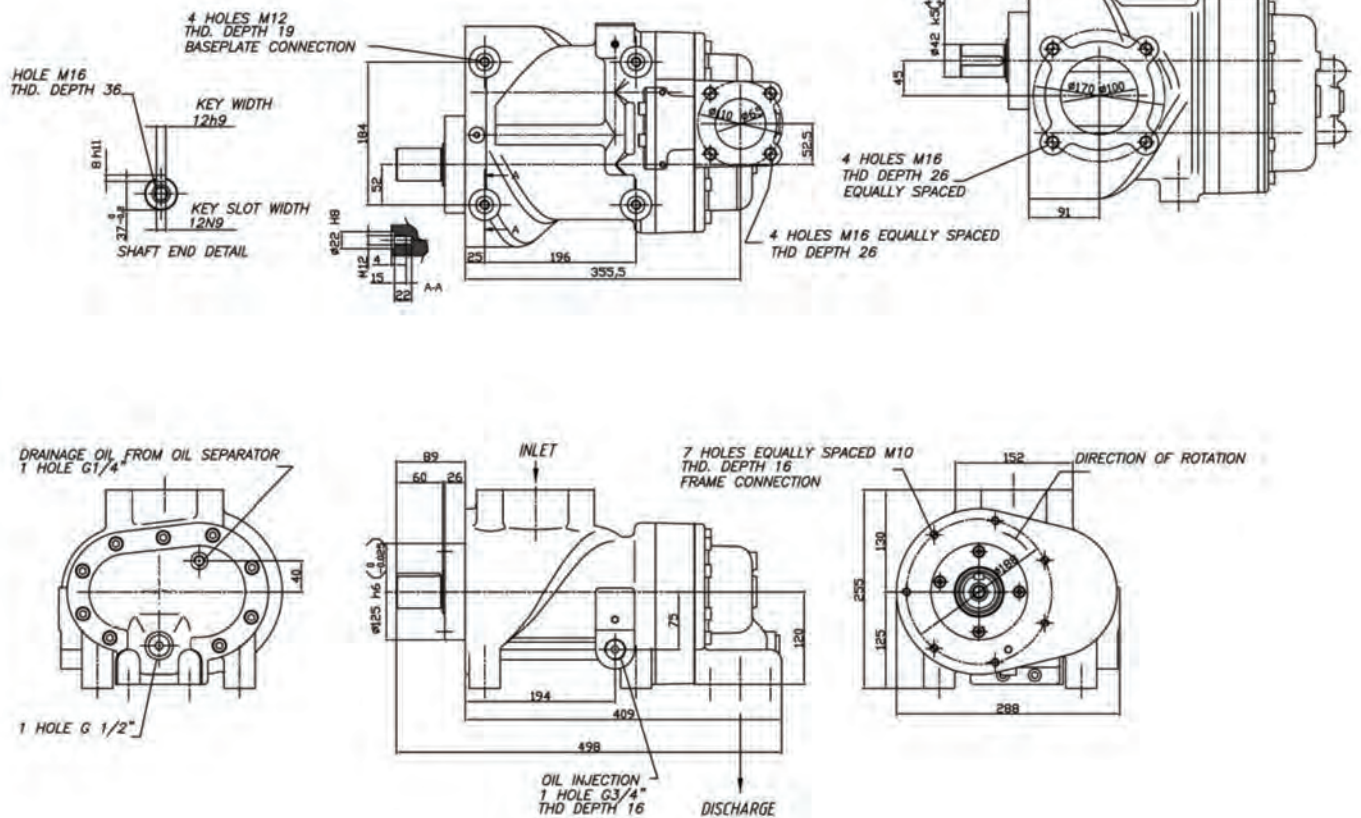
G1/8" - USEFUL DEPTH = 10
DRAIN FROM THE SEPARATOR
DRENAGGIO DAL SEPARATORE

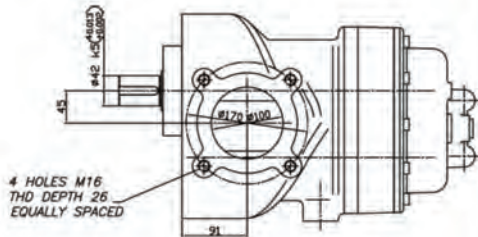
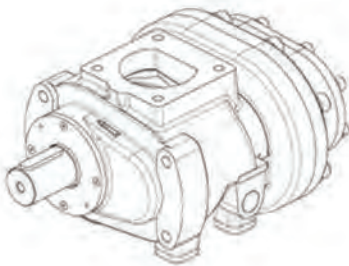
Code	#5308000110
Power range	22 - 37 kW
Rotor speed	2,500 - 6,500 r.p.m. (min. - max.)
Max. pressure	15 bar
Net Weight	57 kg



FS 130

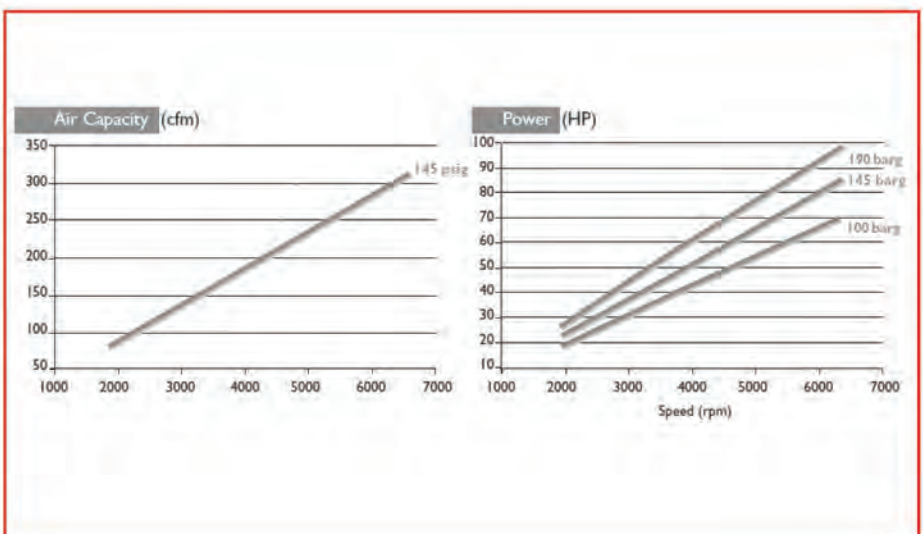
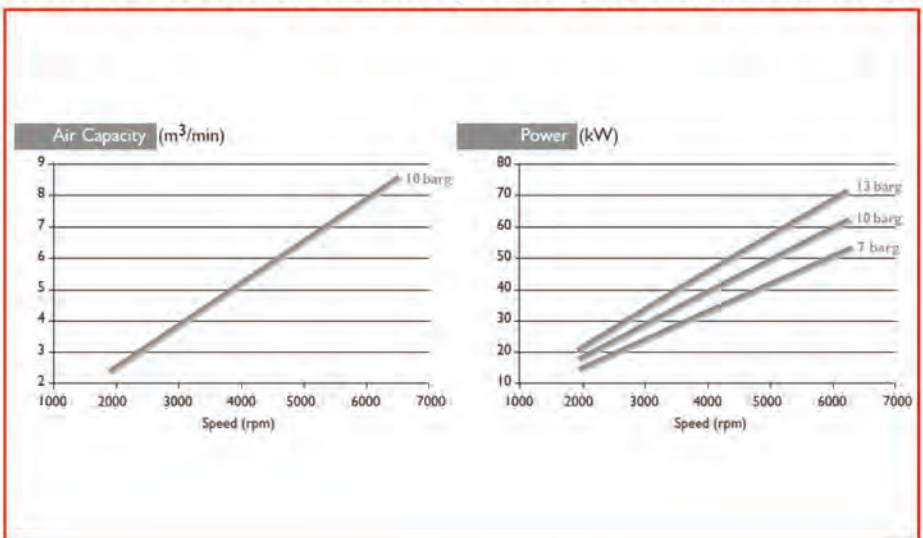
Air-end for direct coupling or belt-driven.





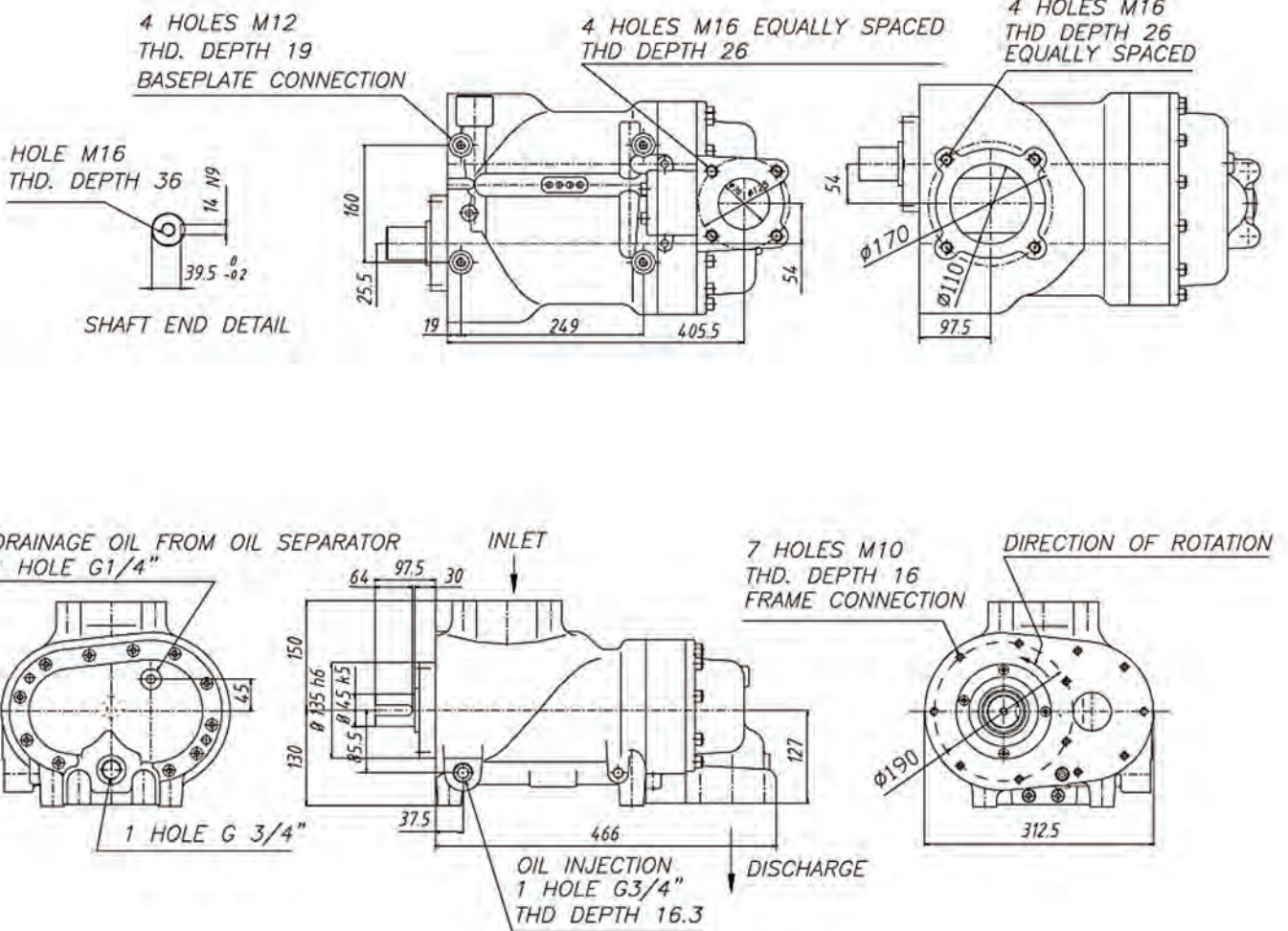
Code	#5307400000SGL GR.VITE FS130
Power range	37 - 55 kW
Rotor speed	126.2 [mm] 1932 – 6489 [rpm]
Max. pressure	15 bar
Net Weight	74 kg

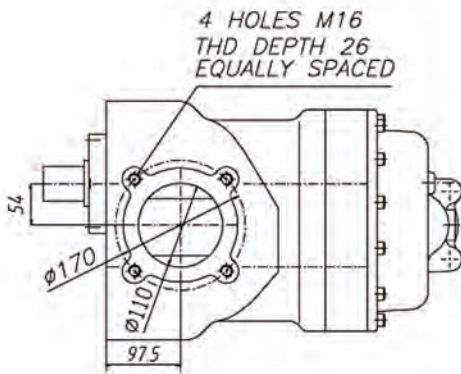
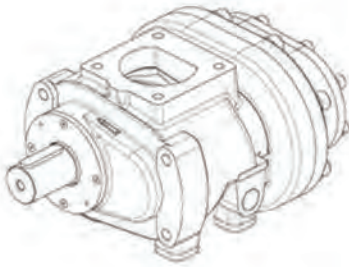
GRAFICI DI PRESTAZIONE / PERFORMANCE CHARTS



FS 240

Air-end for direct coupling or belt-driven.





Code	#5307200000SGL GR.VITE FS240
Power range	45 - 90 kW
Rotor speed	147.3 [mm] 1691 – 6554 [rpm]
Max. pressure	15 bar
Net Weight	108 kg

GRAFICI DI PRESTAZIONE / PERFORMANCE CHARTS

